

# record doors & ADA

Automatic Swing Doors



[www.recorddoors.com](http://www.recorddoors.com)



**record**

your global partner for entrance solutions

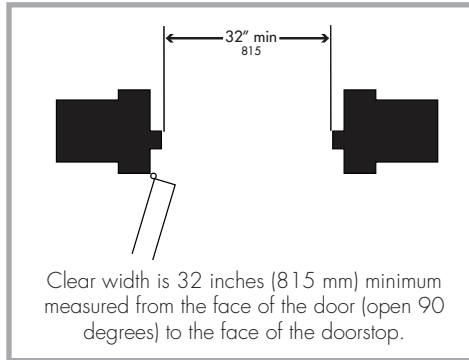
ADA Guidelines

# record doors & ADA

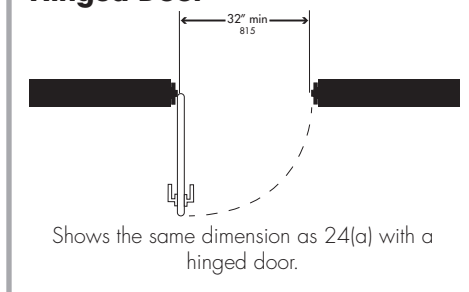
## Automatic Swing Doors

### Clear Widths

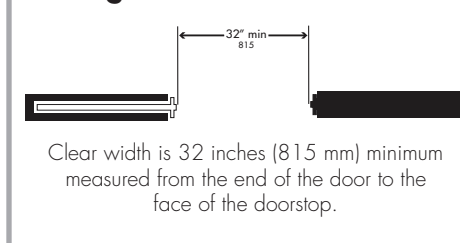
Doorways shall have a minimum clear opening of 32 in (815 mm) with the door open 90 degrees, measured between the face of the door and the opposite stop.



### Hinged Door

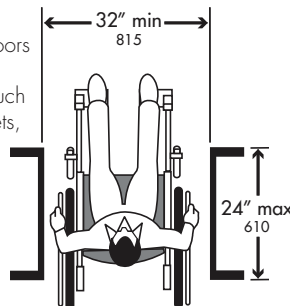


### Sliding Door



### Maximum Doorway Depth

EXCEPTION: Doors not requiring full user passage, such as shallow closets, may have the clear opening reduced to 20 in (510 mm) minimum.



Clear width is 32 inches (815 mm) minimum measured from the one side wall to the face of the opposite side wall. The maximum depth of the opening shown is 24 inches (610 mm).

### Front Approaches Swinging Doors

- Front approaches to pull side of swinging doors shall have maneuvering space that extends from the hinge side of the door to 18 inches (455 mm) minimum, 24 inches (610 mm) preferred, beyond the latch side of the door and 60 inches (1525 mm) minimum perpendicular to the doorway.
- Front approaches to push side of swinging doors, if equipped with both closer and latch, shall have maneuvering space starting at the hinge side and that extends 12 inches (305 mm) minimum beyond the latch side of the door and 48 inches (1220 mm) minimum perpendicular to the doorway.
- Front approaches to push side of swinging doors, if not equipped with latch and closer, shall have maneuvering space that is the same width as door opening and extends 48 inches (1220 mm) minimum perpendicular to the doorway.

### Hinge Side Approaches Swinging Doors

- Hinge-side approaches (a side approach toward the hinge side of the door) to the pull side of swinging doors shall have maneuvering space that extends 36 inches (915 mm) minimum beyond the latch side of the door if 60 inches (1525 mm) minimum is provided perpendicular to the doorway or maneuvering space that extends 42 inches (1065 mm) minimum beyond the latch side of the door if 54 inches (1370 mm) minimum is provided perpendicular to the doorway.
- Hinge-side approaches (from the side facing the hinge side) to the push side of swinging doors, if the door is not equipped with both latch and closer, shall have a maneuvering space of 54 inches (1370 mm) minimum parallel to the doorway, extending from the latch side to beyond the hinge side, and 42 inches (1065 mm) minimum perpendicular to the doorway.
- Hinge side approaches to push side of swinging doors, if equipped with both latch and closer, shall have maneuvering space of 54 inches (1370 mm) minimum parallel to the doorway, extending from the latch side to beyond the hinge side, and 48 inches (1220 mm) minimum perpendicular to the doorway.



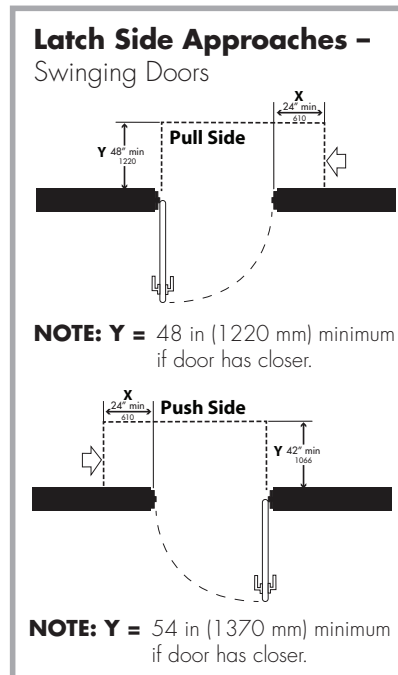
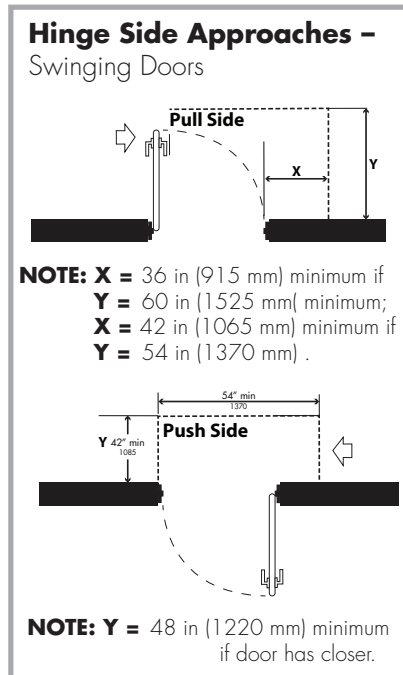
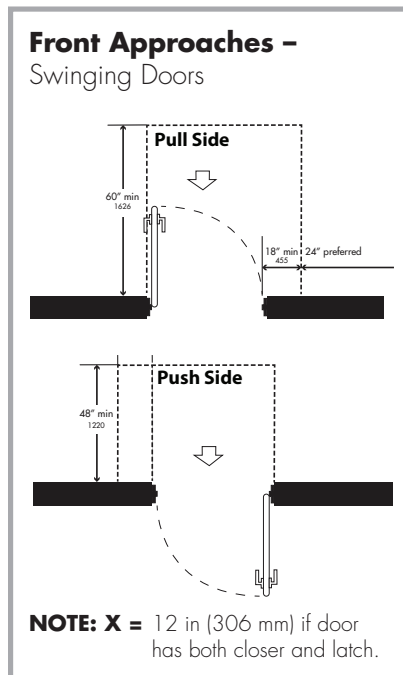
## Latch Side Approaches

### Swinging Doors

- Latch-side approaches to the pull side of swinging doors that have closers shall have maneuvering space that extends from the hinge side to 24 inches (610 mm) minimum beyond the latch side of the door and 54 inches (1370 mm) minimum perpendicular to the doorway.

## Thresholds at Doorways

Thresholds at doorways shall not exceed 3/4 in (19 mm) height for exterior sliding doors or 1/2 in (13 mm) for other types of doors. Raised thresholds and floor level changes at accessible doorways shall be beveled with a slope no greater than 1:2.



- Latch-side approaches to the pull side of swinging doors, if not equipped with closers, shall have maneuvering space that extends from the hinge side to 24 inches (610 mm) minimum beyond the latch side of the door and 48 inches (1220 mm) minimum perpendicular to the doorway.
- Latch-side approaches to push side of swinging doors that have closers shall have maneuvering space that extends from the hinge side to 24 inches (610 mm) minimum parallel to the doorway beyond the latch side of the door and 48 inches (1220 mm) minimum perpendicular to the doorway.
- Latch-side approaches to push side of swinging doors, if not equipped with closers, shall have maneuvering space that extends from the hinge side to 24 inches (610 mm) minimum parallel to the doorway beyond the latch side of the door and 42 inches (1065 mm) minimum perpendicular to the doorway.
- The floor or ground area within the required clearances shall be level and clear.

#### EXCEPTION:

Entry doors to acute care hospital bedrooms for in-patients shall be exempted from the requirement for space at the latch side of the door if the door is at least 44 in (1120 mm) wide.

## Door Opening Force

- The maximum force for pushing or pulling open a door shall be as follows:

- (1) Fire doors shall have the minimum opening force allowable by the appropriate administrative authority.
- (2) Other doors.
  - (a) exterior hinged doors: (Reserved).
  - (b) interior hinged doors: 5 lbf (22.2N)
  - (c) sliding or folding doors: 5 lbf (22.2N)

- These forces do not apply to the force required to retract latch bolts or disengage other devices that may hold the door in a closed position.

## Automatic Doors and Power-Assisted Doors

- If an automatic door is used, then it shall comply with ANSI/BHMA A156.10. Slowly opening, low-powered, automatic doors shall comply with ANSI A156.19. Such doors shall not open to back check faster than 3 seconds and shall require no more than 15 lbf (66.6N) to stop door movement. If a power-assisted door is used, its door-opening force its closing shall conform to the requirements in ANSI A156.19.

\*All information is gathered from [ada-compliance.com](http://ada-compliance.com) ([www.ada-compliance.com/ada-compliance/ada-doors.html](http://www.ada-compliance.com/ada-compliance/ada-doors.html))

→ record automatic door systems

4324 Phil Hargett Court – Post Office Box 3099 – Monroe, NC 28110

tel. +1 704 289-9212 – e-mail: [info@recorddoors.com](mailto:info@recorddoors.com) – [www.recorddoors.com](http://www.recorddoors.com)

→ Headquarters

agta record ltd – Allmendstrasse 24 – 8320 Fehraltorf – Switzerland

tel.: +41 44 954 91 91 – e-mail: [info@agta-record.com](mailto:info@agta-record.com) – [www.agta-record.com](http://www.agta-record.com)

