



record

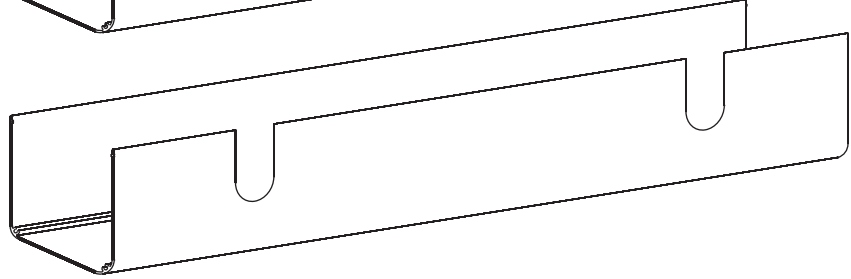
SERIES 6100/8100 HEADER COVERS

16MAY07
25SEP08

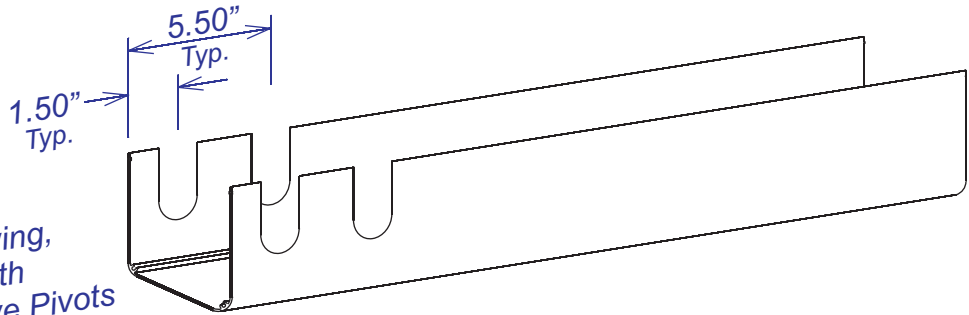
Header Configuration 1
Standard Single Swing,
Non-Handed Cover



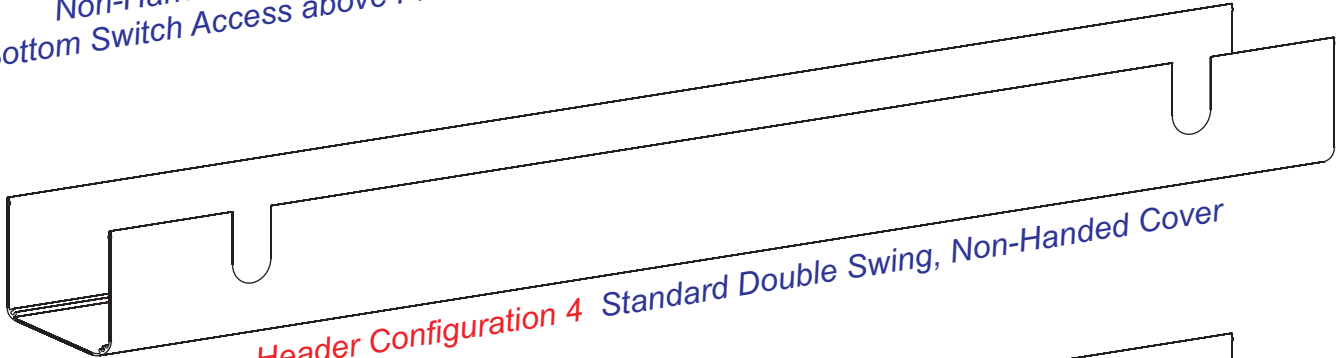
Header Configuration 2
Non-Standard Single Swing,
Non-Handed Cover with
Bottom Switch Access above Lock



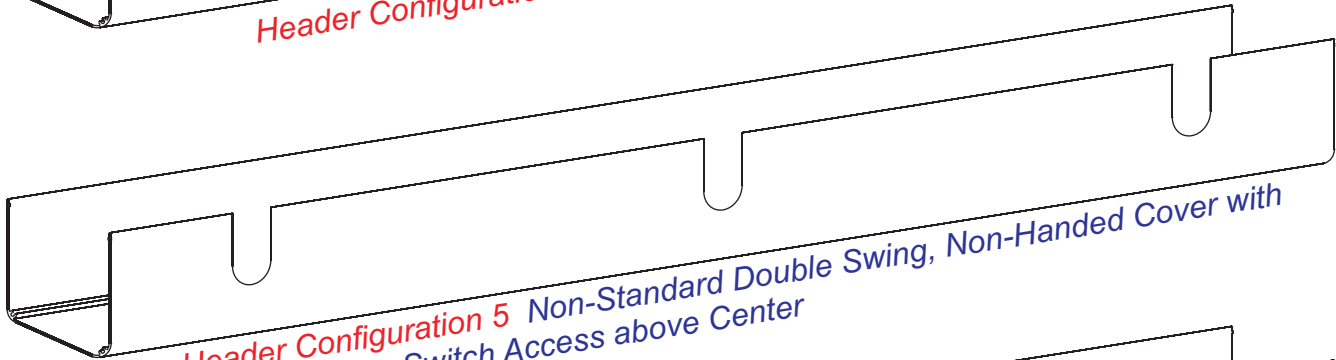
Header Configuration 3
Non-Standard Single Swing,
Non-Handed Cover with
Bottom Switch Access above Pivots



Header Configuration 4 Standard Double Swing, Non-Handed Cover



Header Configuration 5 Non-Standard Double Swing, Non-Handed Cover with
Bottom Switch Access above Center



Header Configuration 6 Non-Standard Double Swing, Non-Handed Cover with
Bottom Switch Access above Hinges / Pivots

