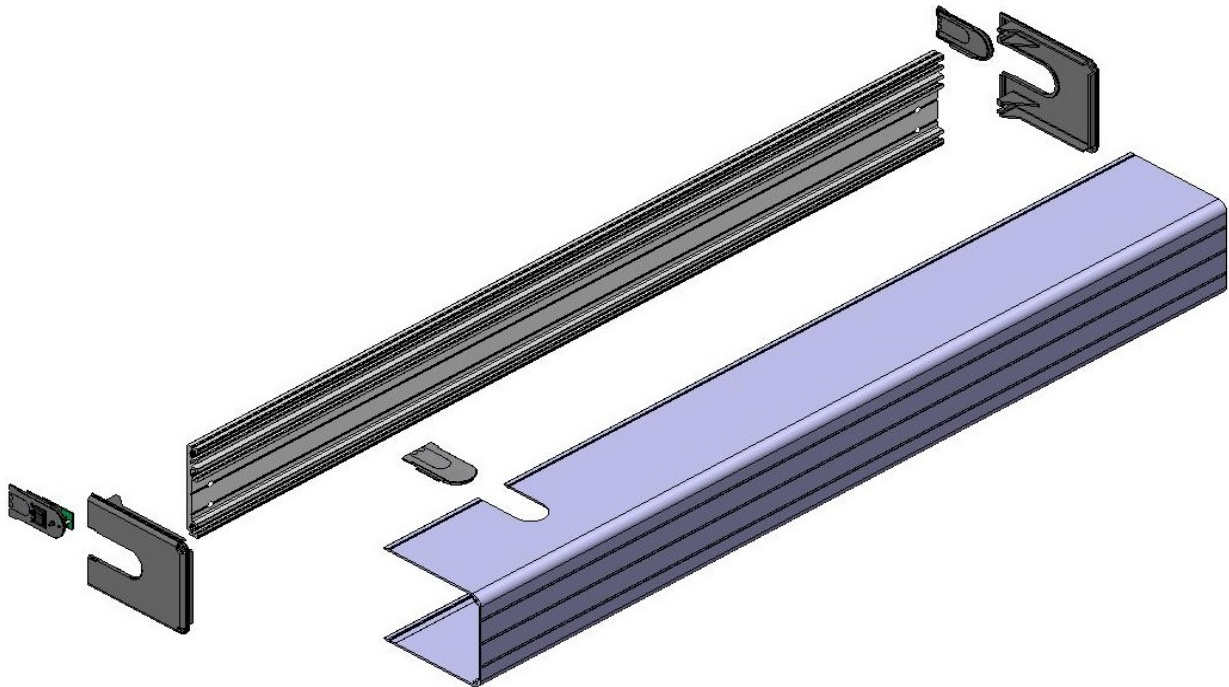


Series 8000 Header Components

5-80-4001	Extrusion, Backplate, Series 8000, Mill Finish
5-80-4003-CL/DB	Extrusion, Cover, Series 8000, Clear/Dk. Bronze Anodized

Accessory Package - Series 8100 Header Assembly

2	6-80-9001	Endcap, Series 8000, Molded Plastic	
1	6-80-9002	Insert, Shaft Cutout	
2	6-80-9003	Insert, Cover, Plain	
1	6-80-9004	Insert, Cover, Switch	
6	81-0017-2658	Screw, 1/4-20 X 3/8" Allen Button Head, Flanged	(Pwr Supply & Endcap Mtg)
4	81-0014-2666	Screw, 1/4-20 X 3/4" Allen Button Head	(Operator Mtg)
10	4-51-1036	Plate, Nut (1/4-20)	
4	81-3114-0412-DB	Screw, 8-18 X 1/2" Phillips Pan Head, Black	(Cover Extrusion Mtg)
2	81-4814-0106	Screw, 2-28 X 5/16" Phillips Pan Head, Zinc	(Rocker Switch Mtg)

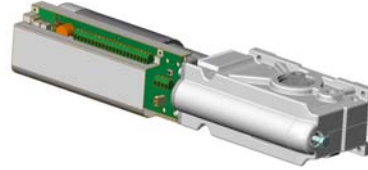


Series 8100 Drive Components

9-80-0100 Series 8100 Operator, Complete

The following are included in the above assembly

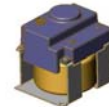
9-80-0001 Drive Module with Control



9-80-0003 Shaft Mounted Stop Assembly



9-80-0002 Power Supply - 120 VAC



9-80-0004 Assembly, Rocker Switch - On / Off / Open



9-80-0005 Harness, Rocker Switch, 39"





record-usa
4910 Starcrest Dr.
Monroe, NC 28110
800-438-1937

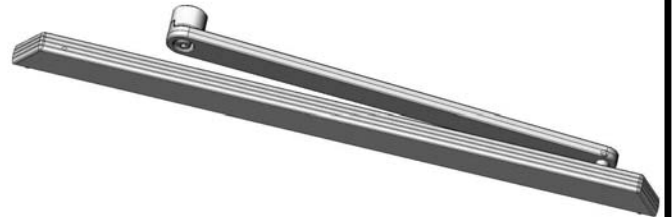
Series 8000 Arm Variations

May06 DPH

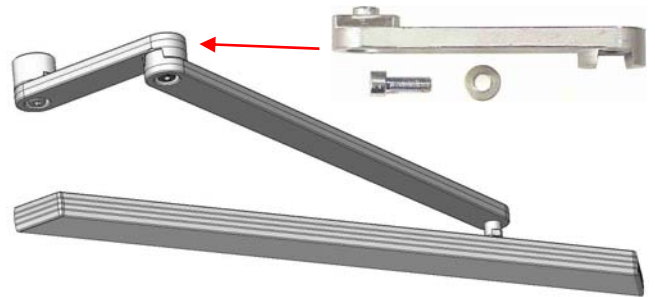
The Standard Arm Assembly, 9-80-0010-CL, will work in outswing (push) applications up to a 12" reveal, and inswing (pull) applications up to a 6" reveal. A 50mm Adapter is included.



The Slide Track Arm Assembly, 9-80-0012-CL, will work in outswing (push) applications up to a 3" reveal, and inswing (pull) applications up to a 6" reveal. A 20mm Adapter is included.



The Offset Arm Adapter, 9-80-0011-CL, can be used with the above Slide Track Arm Assembly to provide a solution for special applications, such as center-pivoted doors with breakout capability, or double-egress installations using a continuous header. No additional Adapter is provided; the 20mm unit provided with the Slide Track Arm is used.



Three different length Arm Adapters are individually available -

- 9-80-0006-CL Arm Adapter, 20 mm, 1/2" Extension
(also included with Slide Track Arm)
- 9-80-0007-CL Arm Adapter, 50 mm, 1 3/4" Extension
(also included with Standard Arm)
- 9-80-0009-CL Arm Adapter, 80 mm, 3" Extension



Component and assembly part numbers –

- 9-80-0006-CL Arm Adapter, 20 mm, 1/2" Extension
- 9-80-0007-CL Arm Adapter, 50 mm, 1 3/4" Extension
- 9-80-0009-CL Arm Adapter, 80 mm, 3" Extension
- 9-80-0010-CL Standard Arm Assembly
- 9-80-0011-CL Offset Arm Adapter
- 9-80-0012-CL Slide Track Arm Assembly